

Contact Details

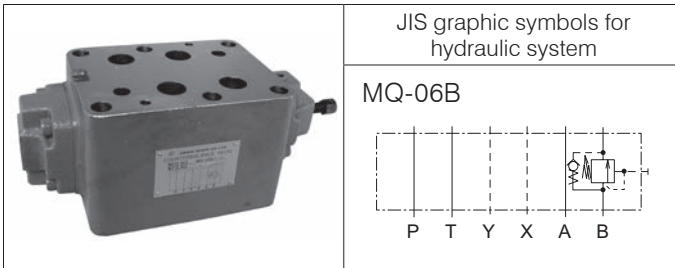
Before using the product, please check the guide pages at the front of this catalog.

Internet

<http://www.daikinpmc.com/en/>

For latest information, PDF catalogs and operation manuals

06 Series Stacking Type Port B Counter Balance Valves



Nomenclature

MQ - 06 B - 1 ※ - 11

1

2

3

4

5

6

1 Model No.

(Applicable fluids: petroleum-based hydraulic oil)

MQ: Modular stacking type counter balance valve

2 Nominal diameter

06: $\frac{3}{4}$

3 Control port

B: Port B

4 Function code

1: Counter balance valve

5 Pressure adjustment range

A: 0.25 to 0.85 MPa { 2.5 to 8.5 kgf/cm² }

B: 0.5 to 1.75 MPa { 5 to 17.5 kgf/cm² }

C: 0.85 to 3.5 MPa { 8.5 to 35 kgf/cm² }

D: 1.75 to 7 MPa { 17.5 to 70 kgf/cm² }

E: 3.5 to 14 MPa { 35 to 140 kgf/cm² }

6 Design No.

(The design No. is subject to change)

Specifications

Model code	Maximum operating pressure MPa {kgf/cm ² }	Maximum flow rate L/min	Pressure adjustment range *1 MPa {kgf/cm ² }	Check valve cracking pressure MPa {kgf/cm ² }	Mass kg	Pressure change MPa {kgf/cm ² } per screw revolution
MQ-06B-1A-11	21 {210}	120	0.25 to 0.85 { 2.5 to 8.5 }	0.05 {0.5}	12.8	0.075 { 0.75 }/revolution
MQ-06B-1B-11			0.5 to 1.75 { 5 to 17.5 }			0.25 { 2.5 }/revolution
MQ-06B-1C-11			0.85 to 3.5 { 8.5 to 35 }			0.31 { 3.1 }/revolution
MQ-06B-1D-11			1.75 to 7 { 17.5 to 70 }			0.6 { 6 }/revolution
MQ-06B-1E-11			3.5 to 14 { 35 to 140 }			2 { 20 }/revolution

Note: *1 The pressure adjustment ranges are indicated using cracking pressures.

Handling

- Since this valve is set as internal drain type, connect the secondary port of the valve directly to the tank.

Contact Details

Before using the product, please check the guide pages at the front of this catalog.

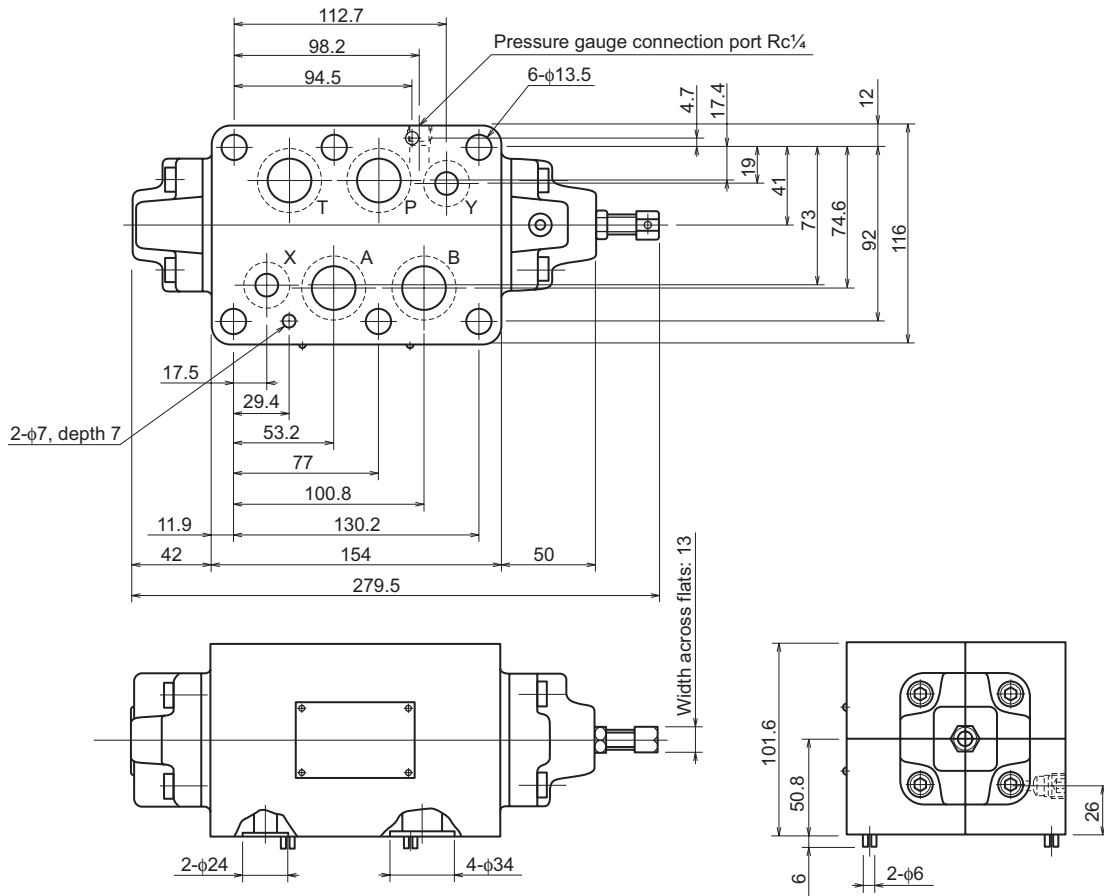
Internet

<http://www.daikinpmc.com/en/>

For latest information, PDF catalogs and operation manuals

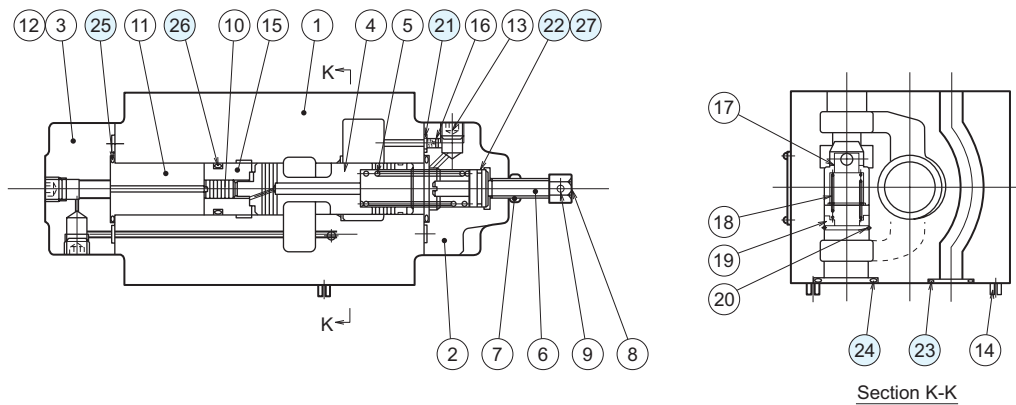
External dimension diagram

MQ-06B



Sectional structural diagram

MQ-06B



Sealing part table

Part No.	Name	Quantity	Part specifications
21	O-ring	4	JIS B 2401 1BP6
22	O-ring	1	JIS B 2401 1BP16
23	O-ring	2	JIS B 2401 1BP20
24	O-ring	4	JIS B 2401 1BP28
25	O-ring	2	JIS B 2401 1BG30
26	O-ring	1	JIS B 2401 1BP22A
27	Backup ring	1	JIS B 2407 Bias cut P16